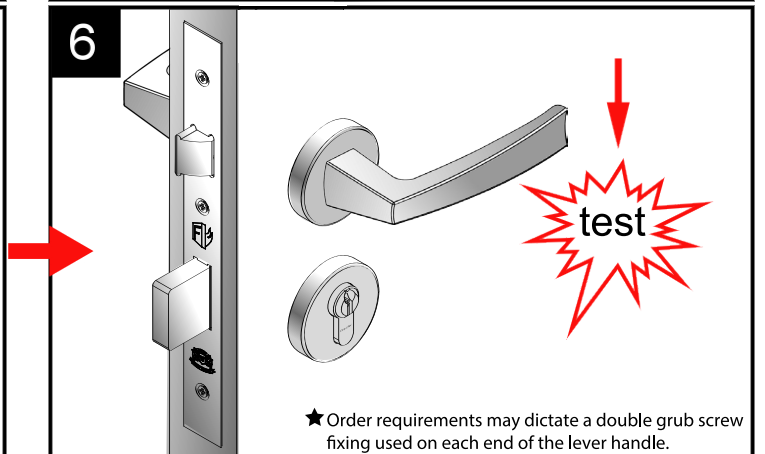
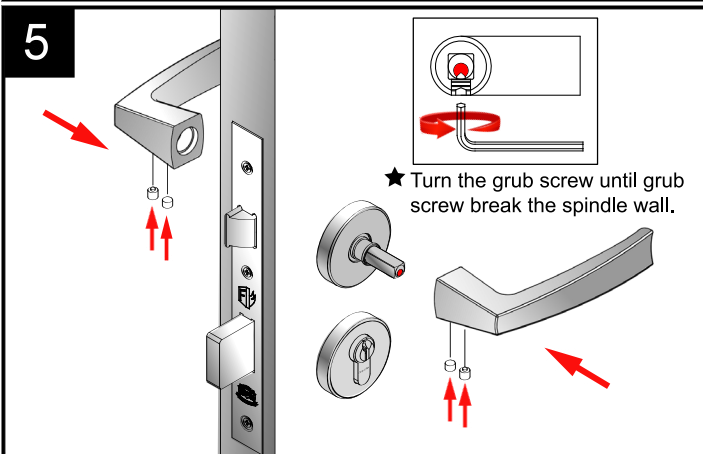
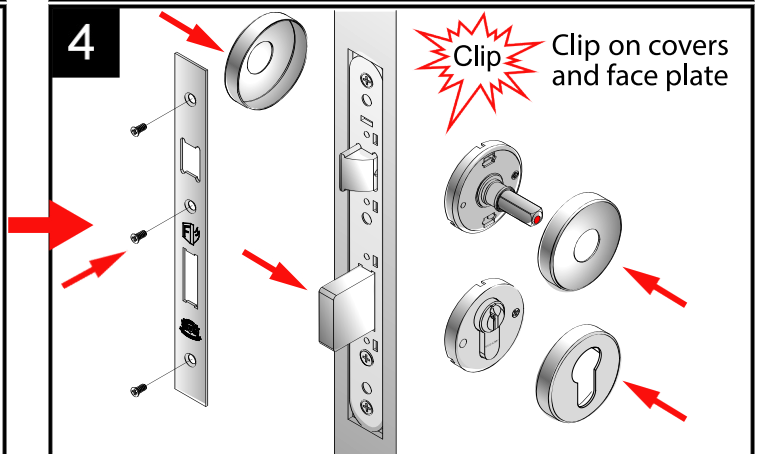
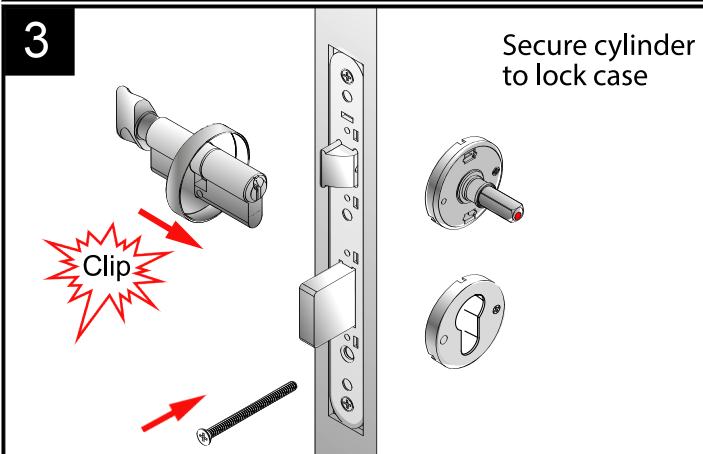
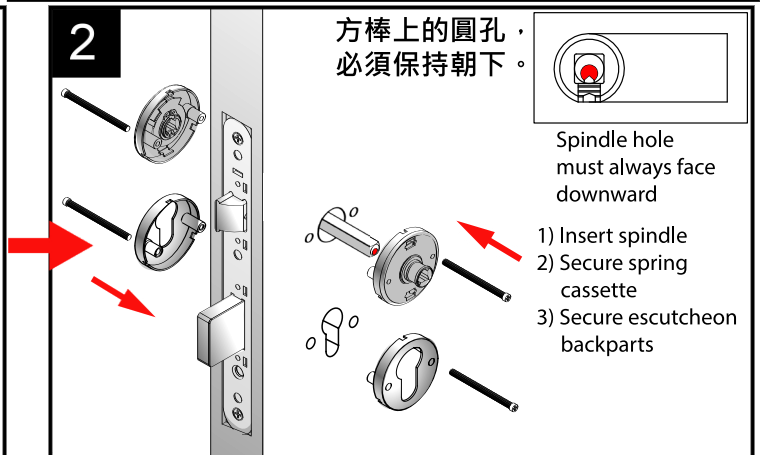
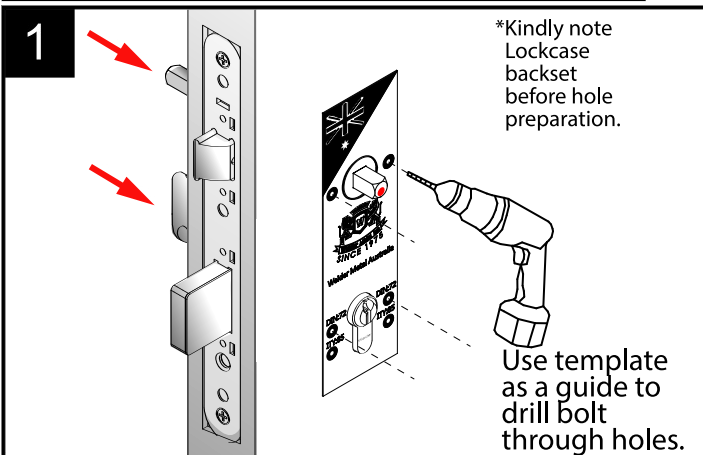
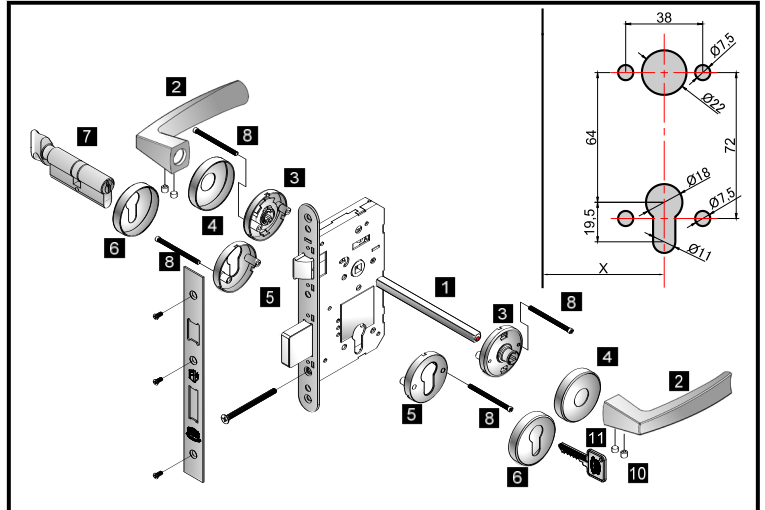
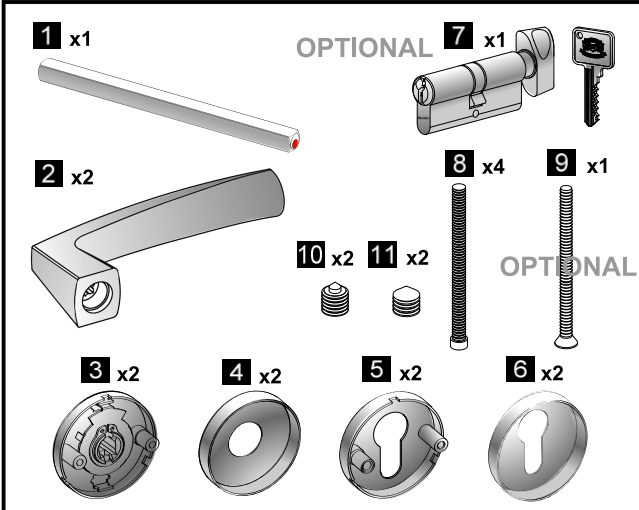


## Fixing Instruction for Fixed Spring / Cassette Lever Handle Set

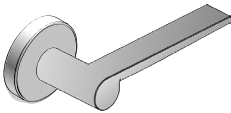


# Fixing Instruction for Fixed Spring / Cassette Lever Handle Set

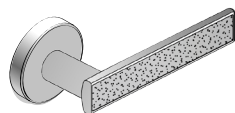


此區塊虛線做切割痕，可直接撕開或戳破。

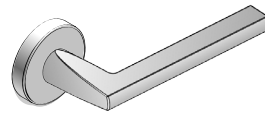
**SLM-557**



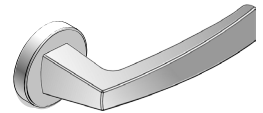
**SLM-587-RM**



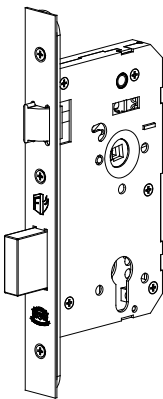
**SLM-591**



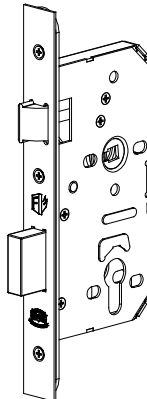
**SLM-887**



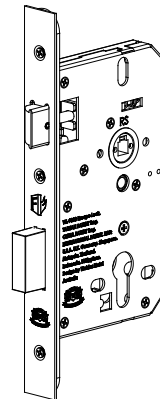
**WL-2370T-M-SL**  
Heavy Duty Modular Type  
Mortise Lock



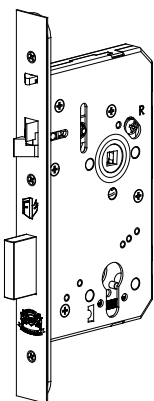
**WL-9500-SL**  
Modular Type  
Mortise Lock



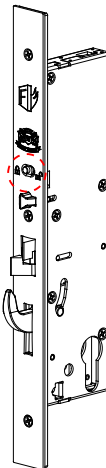
**WL-9830**  
Anti-Panic Escape  
Mortise Lock



**WL-9000SVP-T/M-60**  
Anti-Panic with  
Auto-Locking Multipoint Mortise Lock

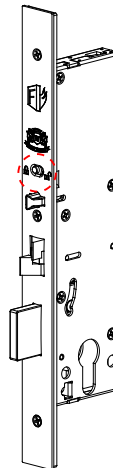


**WL-9200T/M-45-HK**  
Narrow Style Multipoint Auto-Locking  
Hook Lock for Sliding Doors



Functional (PL&SL) slide-switch  
During office Hour:  
Slide-switch to (🔓 open-position)  
-Passage function  
  
After Hours:  
Slide-switch to (🔒 auto locking position)  
-The lock will switch to  
Auto Locking mechanism

**WL-9300T/M-45-DL**  
Narrow Style Multipoint Auto-Locking  
Dead Lock for Swing Doors



Functional (PL&SL) slide-switch  
During office Hour:  
Slide-switch to (🔓 open-position)  
-Passage function  
  
After Hours:  
Slide-switch to (🔒 auto locking position)  
-The lock will switch to  
Auto Locking mechanism

